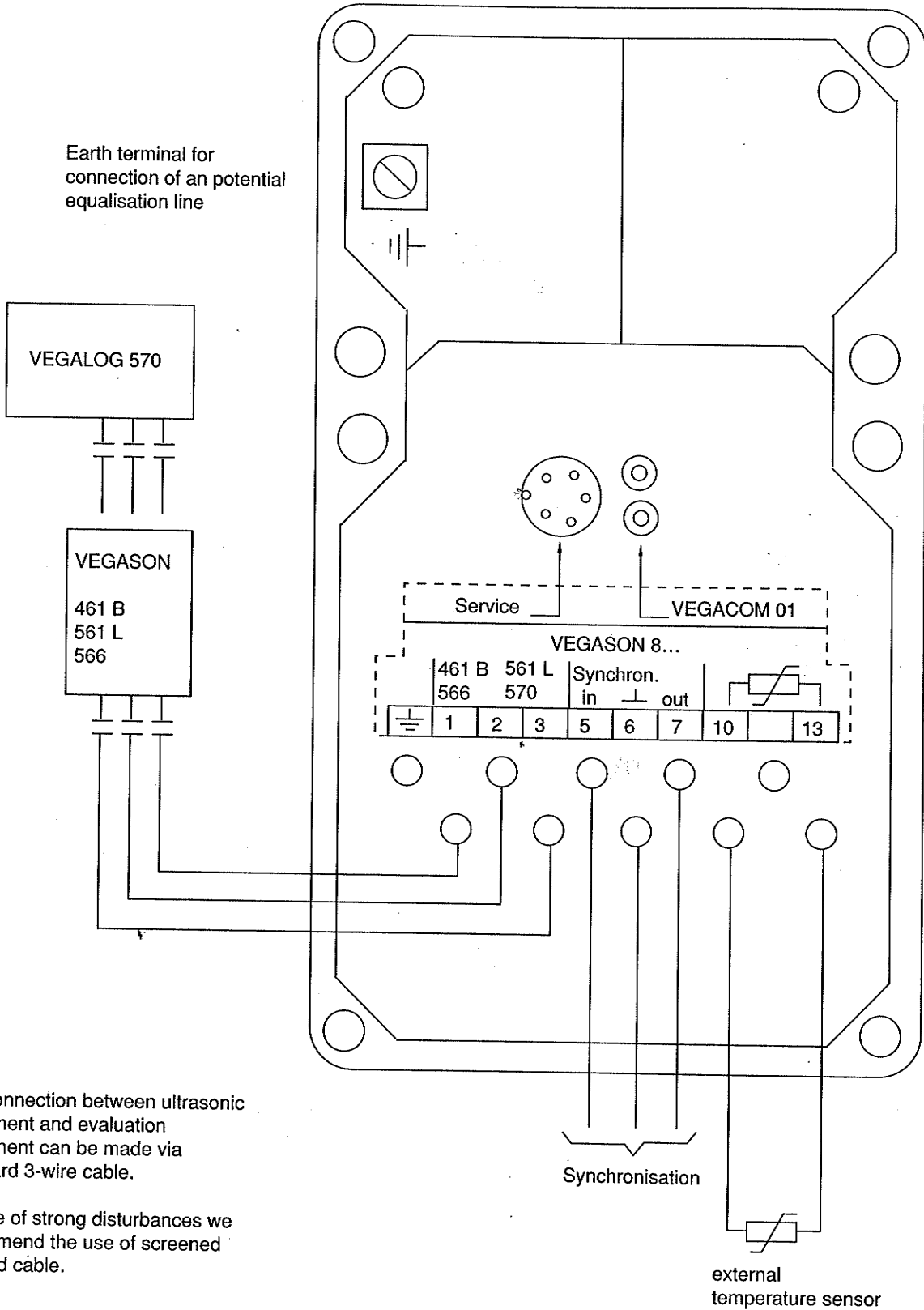


Electrical connection, part 1

VEGASON 84 ... 87 FA

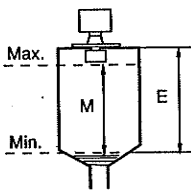
Earth terminal for connection of an potential equalisation line



The connection between ultrasonic instrument and evaluation instrument can be made via standard 3-wire cable.

In case of strong disturbances we recommend the use of screened earthed cable.

Technical data

VEGASON FA / GA		84	85	86	87
The VEGASON ... is fed by the evaluation instrument:		voltage approx. 33 V	voltage approx. 33 V	voltage approx. 33 V	voltage approx. 33 V
		current approx. 120 mA	current approx. 120 mA	current approx. 130 mA	current approx. 140 mA
Meas. range related from the lower part of the flange to the product for solids granulation ≥ 3 mm granulation ≤ 3 mm -Resolution -Frequency -Rate approx. -Accuracy in % $= \frac{1,0 \% \times E}{M}$		0,8 ... 20 m 1,0 ... 20 m 1 cm 22 kHz 0,5 sec.	0,8 ... 30 m 1,0 ... 30 m 1 cm 16 kHz 0,7 sec.	0,3 ... 40 m 0,3 ... 40 m 1 cm 22 kHz 1 sec.	0,3 ... 60 m 0,3 ... 60 m 1 cm 16 kHz 1,2 sec.
The angle of repose of solids changes the measuring accuracy.					
Angle of radiation (related to -3 dB)		11°	12°	4,8°	5,5°
Temperature sensor for compensation of running period ext. temperature sensor, housing specific to customer Parameter (Option)		in the transducer housing KTY 10 B see page 18 ... 41		in the transducer housing KTY 10 B see page 18 ... 41	
Connection line to the evaluation instrument: Resistance per conductor		standard, 3-wire max. 20 Ohms		standard, 3-wire max. 20 Ohms	
Connection line: Transducer to GA-electronics Standard line length Max. line length Outer diameter		3 x 0,38 mm ² , thereof one screened lead 5 m 25 m ø 8 mm		4 x 0,38 mm ² , thereof 2 x one screened lead 5 m 25 m ø 8 mm	
Terminals with cover: Earth terminal:		max. 1 x 1,5 mm ² 4 mm ²		max. 1 x 1,5 mm ² 4 mm ²	
Cable entry		Type FA Type GA 1 x Pg 16 2 x Pg 16		1 x Pg 16 2 x Pg 16	
Permissible ambient temperature on the housing on the transducer		-20 ... +60°C/-4 ... 140°F -20 ... +80°C/-4 ... 176°F		-20 ... +60°C/-4 ... 140°F -20 ... +80°C/-4 ... 176°F	
Storage and transport temperature:		-20 ... +100°C/-4 ... 212°F		-20 ... +100°C/-4 ... 212°F	
Max. permissible overpressure in the container:		0,5 bar/7,1 psi		0,3 bar/4,26 psi	
Material type FA:	Housing and cover Flange	PBTB (Polyester) Plastic PPh, suitable for counter flange acc. to DIN - DN 150 PN 16 PVDF, ø 145 mm		PBTB (Polyester) Plastic PPh, Hole circle diam. 410 mm with 8 holes offset at 45° PVDF, ø 315 mm	
	Transducer				
Material type GA:	Housing and cover Mounting tube Transducer	PBTB (Polyester) 1 " BSP PVDF		PBTB (Polyester) 1 " BSP PVDF	
Protection:		IP 65		IP 65	
Total weight:	approx.	6,0 kg		12,0 kg	

Protocol of

VEGASON

84 FA / GA

85 FA / GA

86 FA / GA

87 FA / GA

(mark the resp. type)

Modifications

Mode description	Factory preset	Modification		
		1	2	3
\$ 01 Meas. range Begin End	0.00 m 22 / 32 / 44 / 65.00 m			
\$ 02 Type of product Solid Liquid	Solid			
\$ 03 Solid Angle of repose Granulation	00 degrees 10 mm			
\$ 03 Liquids Plane top of vessel Round top of vessel	plane			
\$ 04 Multiple echo reduction	0.00			
\$ 05 False echo learn Real distance Actual gain	2.00 m E0.00 V			
\$ 06 Single false echo Begin of the echo End of the echo Actual gain	1.00 m 2.00 m E0.00 V			
\$ 07 Profile curve	off			
\$ 08 Level change	4.00 mm / sec			
\$ 09 Max. gain	0.03 V			
\$ 10 Fail safe	off			
\$ 11 Measuring window	on			
\$ 12 Real distance True echo	2.00 m			
\$ 13 Integration time	000 sec.			
\$ 14 Calibration mode	Password off			
\$ 15 Factory preset	—			
\$ 16 Service mode	off (blocked)			
Data:				
Signature:				