



126in Quadfloat[®] Mower

Groundsmaster[®] 455-D

Model No. 30402—210000001 and Up

Parts Catalog

Ordering Replacement Parts

To order replacement parts, please supply: the part number, the quantity, and the description of each part desired.

Understanding Reference Numbers

Each identified part in an illustration has a reference number. The reference number for a part also appears in the parts list, along with other information about the part.

This catalog uses two special reference number formats, one to indicate parts in a service assembly and another to indicate the quantity of a given part in an illustration.

Service Assembly Reference Numbers

Parts in service assemblies have reference numbers in the form **a:b**. The **a** represents the reference number of the entire service assembly and the **b** represents a sequential number unique to each part within the service assembly.

For example, a wheel assembly might be identified by reference number **6**, the tire by **6:1**, the valve by **6:2**, and the wheel by **6:3**. When you order the assembly identified by reference number **6**, you receive all parts identified by reference numbers **6:1**, **6:2**, and **6:3**. However, you may also order any part individually.

Reference numbers of this type appear in illustrations and in part lists.

Reference Numbers Indicating Quantity

In an illustration, if a reference number indicates more than one part, the reference number has the form **nX y**. The **n** represents the quantity of the part, the **X** is the multiplication symbol, and the **y** represents the reference number.

For example, in an illustration, the reference number **2X 37** means that two of the parts identified by reference number **37** are indicated.

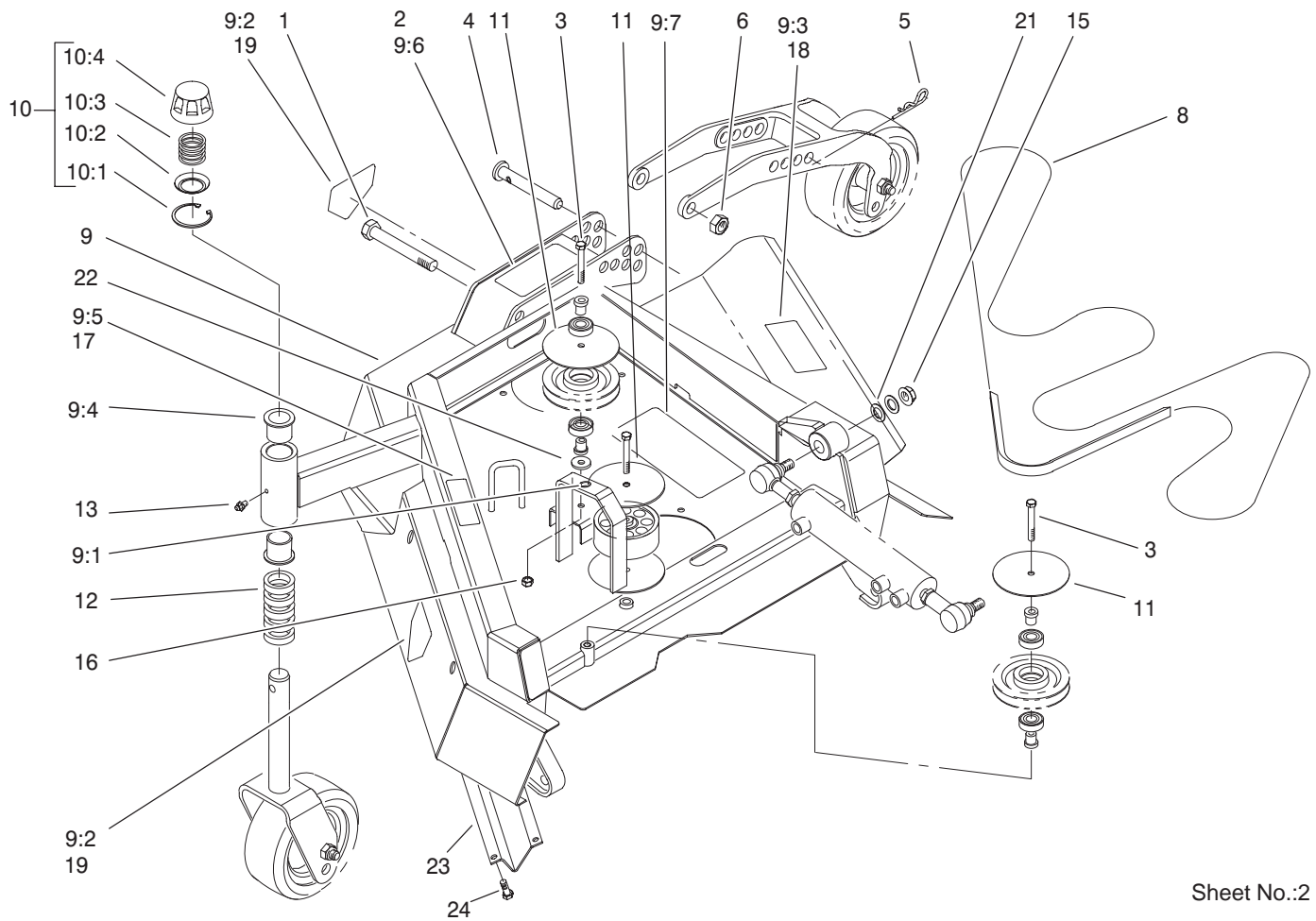
Contents

Description	Page	Description	Page
Right Hand Deck Assembly	3	Pulley Assembly	13
Left Hand Deck Assembly	4	Front Castor Assembly	14
Center Deck Assembly	5	Belt Tensioner Assembly	15
Hydraulic Cylinder Assembly No. 86-2190	7	Hydraulics Assembly	16
Deck Breakaway Assembly	8	Covers Assembly	17
Trap Door Assembly	9	Clutch Spindle Assembly	18
Drive Assembly	10	Electric Clutch Brake No. 100-2559	19
Gearbox Assembly No. 100-2585	11	Center Spindle Assembly	20
Rear Castor Assembly	12	Wing Spindle Assembly	21

Part Description Abbreviations

Part descriptions in this catalog may include the following abbreviations.

Abbreviation	Meaning	Abbreviation	Meaning
AR	as required	HYD	hydraulic
ASM	assembly	INC	incorporated
CARR	carriage	LH	left hand
DEG	degrees	NI	nylon insert
FH	flat head	PPH	Phillips pan head
GA	gauge	PTH	Phillips truss head
HF	hex flange	PTO	power take off
HH	hex head	RH	right hand
HHF	hex head flange	SFH	slotted fillister head
HLH	hex lag head	SHH	slotted hex head
HJ	hex jam	SQH	square head
HOC	height-of-cut	SHWH	slotted hex washer head
HS	hex socket	SPH	slotted pan head
HSBH	hex socket button head	SRH	slotted round head
HSFH	hex socket flat head	STD	standard
HSH	hex socket head	TAP	self tapping
HWH	hex washer head	TTH	Torx truss head
HWHTF	hex washer head thread forming	WH	wing head

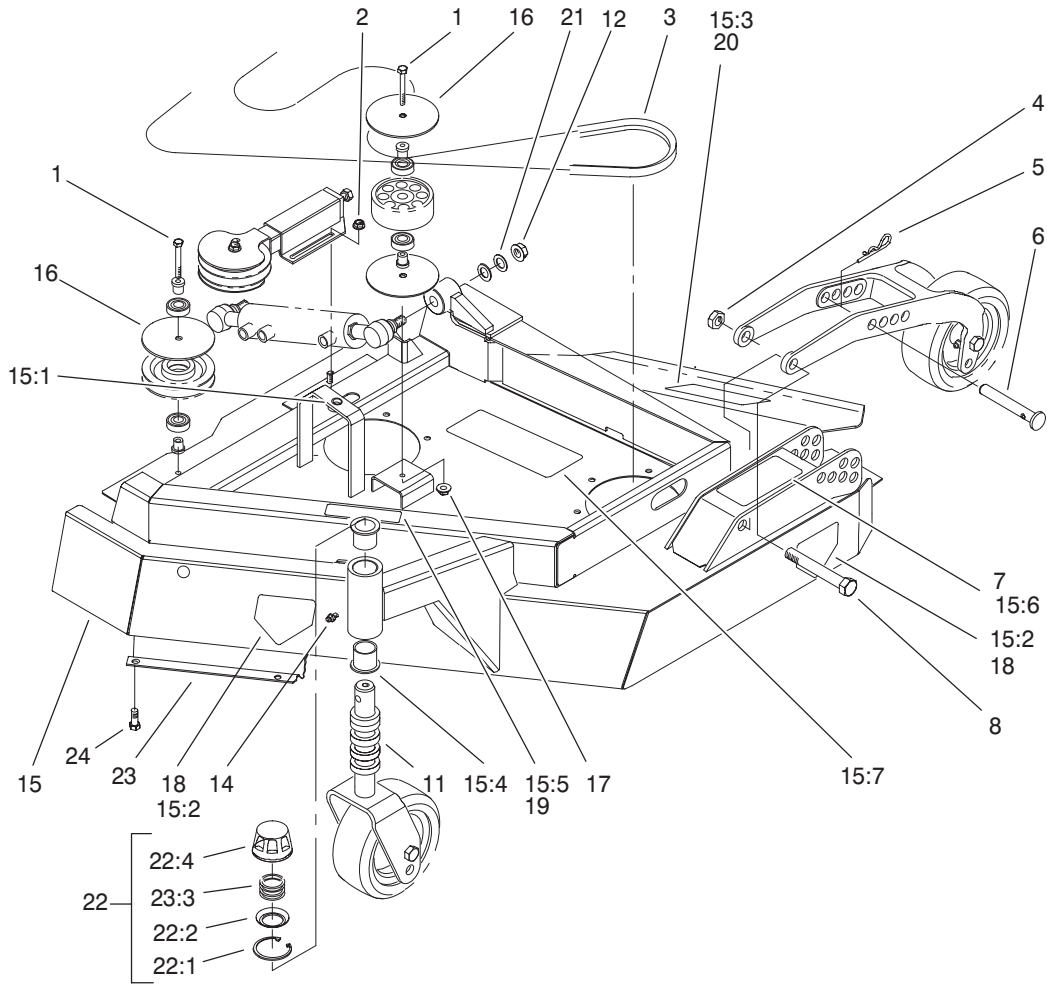


Sheet No.:2

Right Hand Deck Assembly

Ref. No.	Part No.	Qty.	Description
1	3216-6	1	Screw-HH
2	93-9413	1	Decal-HOC, Int'l
3	323-13	3	Screw-HH
4	86-2010	1	Pin-HOC
5	3290-256	1	Pin-Hair
6	3296-15	1	Nut-Lock NI
8	100-2588	1	V-Belt, B-Section
9	92-7758	1	RH Wing Deck ASM
9:1	32148-10	1	Insert-Threaded
9:2	43-8480	2	Decal-Danger
9:3	66-1340	1	Decal-Danger
9:4	69-6470	2	Bushing-Castor
9:5	85-6410	1	Decal-Danger
9:6	86-0700	1	Decal-HOC, RH Wing
9:7	86-0760	1	Decal-Belt, RH
10	92-9727	1	HOC Cap ASM
10:1	92-5581	1	Ring-Retaining
10:2	92-5583	1	Washer-Cap
10:3	92-9726	1	Spring-Compression
10:4	92-8861	1	Cap-HOC
11	86-2600-01	4	Washer-Guide, Belt
12	69-1510	5	Spacer-Castor
13	302-5	1	Fitting-Grease
15	32128-54	1	Nut-Flange
16	32128-29	1	Locknut-Flange
17	93-7814	1	Decal-Danger

Ref. No.	Part No.	Qty.	Description
18	93-7824	1	Decal-Danger, Int'l
19	93-7815	2	Decal-Danger, Int'l
21	86-1440	2	Washer-Flat
22	3256-35	1	Washer-Flat
23	93-7208-01	1	Shield-Deck, Wing
24	32144-11	10	Screw-TAP

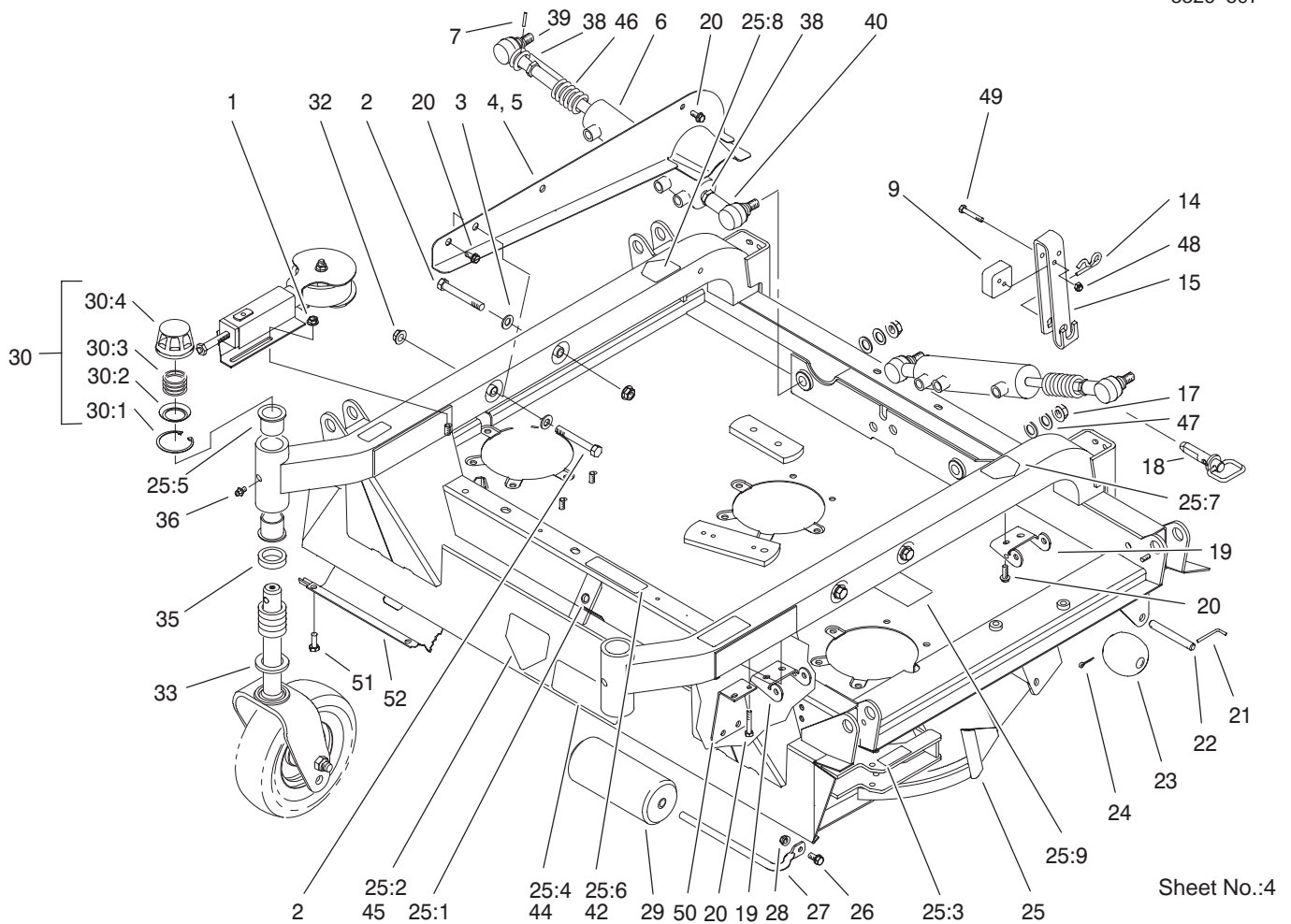


Sheet No.:3

Left Hand Deck Assembly

Ref. No.	Part No.	Qty.	Description
1	323-13	2	Screw-HH
2	32128-19	2	Nut-HF
3	100-2588	1	V-Belt, B-Section
4	3296-15	1	Nut-Lock NI
5	3290-256	1	Pin-Hair
6	86-2010	1	Pin-HOC
7	93-9412	1	Decal-HOC, Int'l
8	3216-6	1	Screw-HH
11	69-1510	5	Spacer-Castor
12	32128-54	1	Nut-Flange
14	302-5	1	Fitting-Grease
15	92-7756	1	LH Wing Deck ASM
15:1	32148-10	1	Insert-Threaded
15:2	43-8480	2	Decal-Danger
15:3	66-1340	1	Decal-Danger
15:4	69-6470	2	Bushing-Castor
15:5	85-6410	1	Decal-Danger
15:6	86-0710	1	Decal-HOC, LH Wing
15:7	86-0750	1	Decal-Belt, LH
16	86-2600-01	3	Washer-Guide, Belt
17	32128-29	1	Locknut-Flange
18	93-7815	2	Decal-Danger, Int'l
19	93-7814	1	Decal-Danger
20	93-7824	1	Decal-Danger, Int'l
21	86-1440	2	Washer-Flat
22	92-9727	1	HOC Cap ASM

Ref. No.	Part No.	Qty.	Description
22:1	92-5581	1	Ring-Retaining
22:2	92-5583	1	Washer-Cap
22:3	92-9726	1	Spring-Compression
22:4	92-8861	1	Cap-HOC
23	93-7208-01	1	Shield-Deck, Wing
24	32144-11	10	Screw-TAP

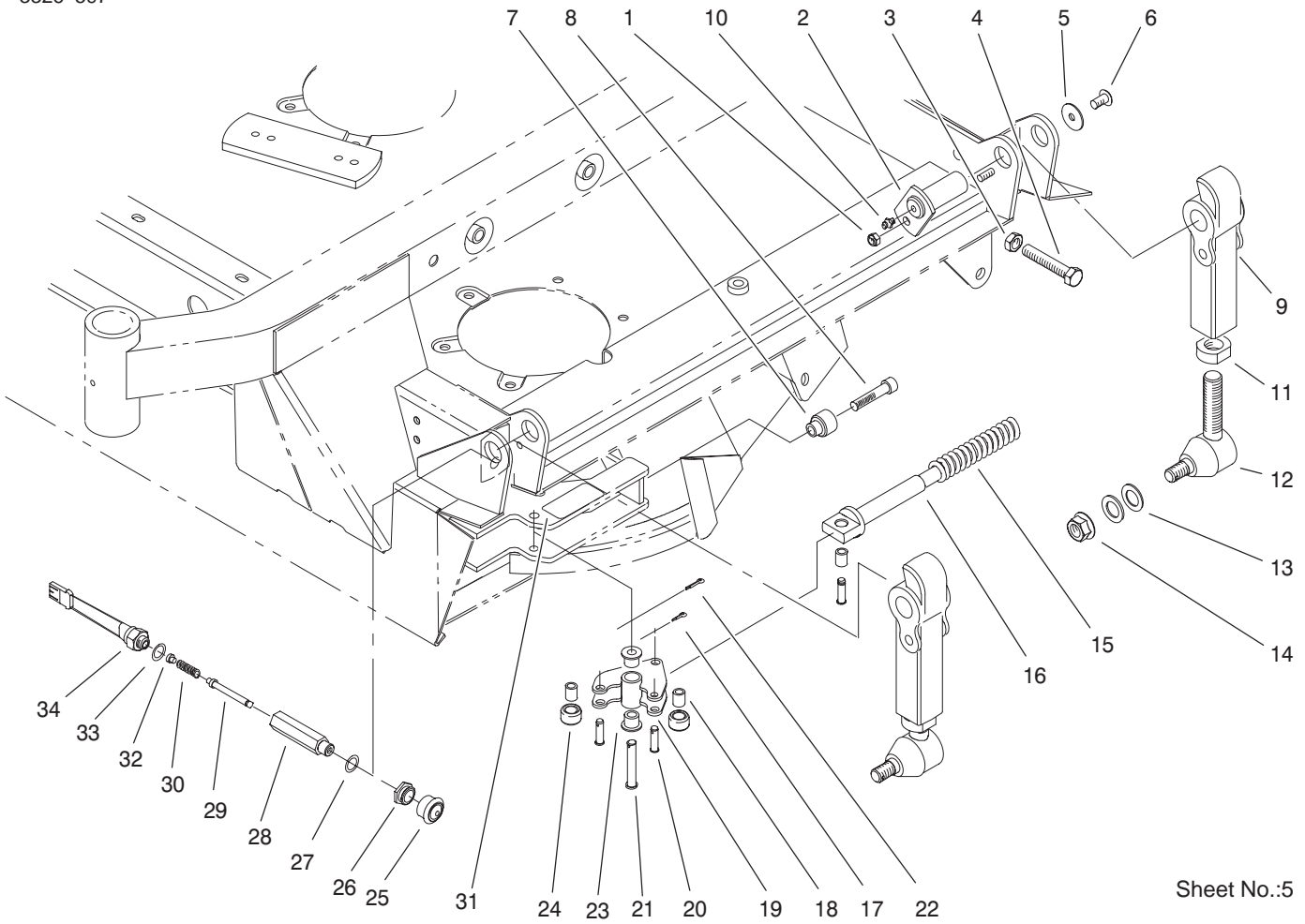


Sheet No.:4

Center Deck Assembly

Ref. No.	Part No.	Qty.	Description
1	32128-19	2	Nut-HF
2	325-35	4	Screw-HH
3	3256-26	4	Washer-Flat
4	86-2230-01	1	Guide-Cover, RH
5	86-2260-01	1	Guide-Cover, LH
6	86-2190	2	Cylinder-Lift, Wing
7	32121-51	2	Pin-Roll
9	94-8008	2	Plate-Wear
14	3290-256	2	Pin-Hair
15	94-8009-01	2	Strap-Deck, HOC
17	32128-54	2	Nut-Flange
18	86-2390	2	Pin
19	86-1890-03	4	Hinge
20	32144-26	12	Screw-Flow
21	57-0690	2	Pin-Special
22	57-0680	2	Shaft-Roller
23	29-4820	2	Roller
24	3272-11	2	Pin-Cotter
25	92-7757	1	Center Deck ASM
25:1	32148-10	1	Insert-Threaded
25:2	43-8480	1	Decal-Danger
25:3	55-4300	2	Decal-Warning
25:4	68-8340	1	Decal-Torque
25:5	69-6470	4	Bushing-Castor
25:6	85-6410	1	Decal-Danger

Ref. No.	Part No.	Qty.	Description
25:7	86-0720	1	Decal-HOC, LH Center
25:8	86-0730	1	Decal-HOC, RH Center
25:9	86-0740	1	Decal-Belt, Center
26	3234-1	1	Screw-HHF
27	68-6840	1	Shaft-Roller
28	32128-21	1	Nut-HF
29	68-6710	1	Roller
30	92-9727	2	HOC Cap ASM
30:1	92-5581	1	Ring-Retaining
30:2	92-5583	1	Washer-Cap
30:3	92-9726	1	Spring-Compression
30:4	92-8861	1	Cap-HOC
32	32128-23	4	Nut-HF
33	77-0950	2	Washer-Castor
35	69-1510	10	Spacer-Castor
36	302-5	2	Fitting-Grease
38	84-5300	4	Nut-Jam
39	92-5810-03	2	Female Rod End ASM
40	92-5811-03	2	Male Rod End ASM
42	93-7814	1	Decal-Danger
44	93-7818	1	Decal-Torque, Blade Bolt
45	93-7815	1	Decal-Danger, Int'l

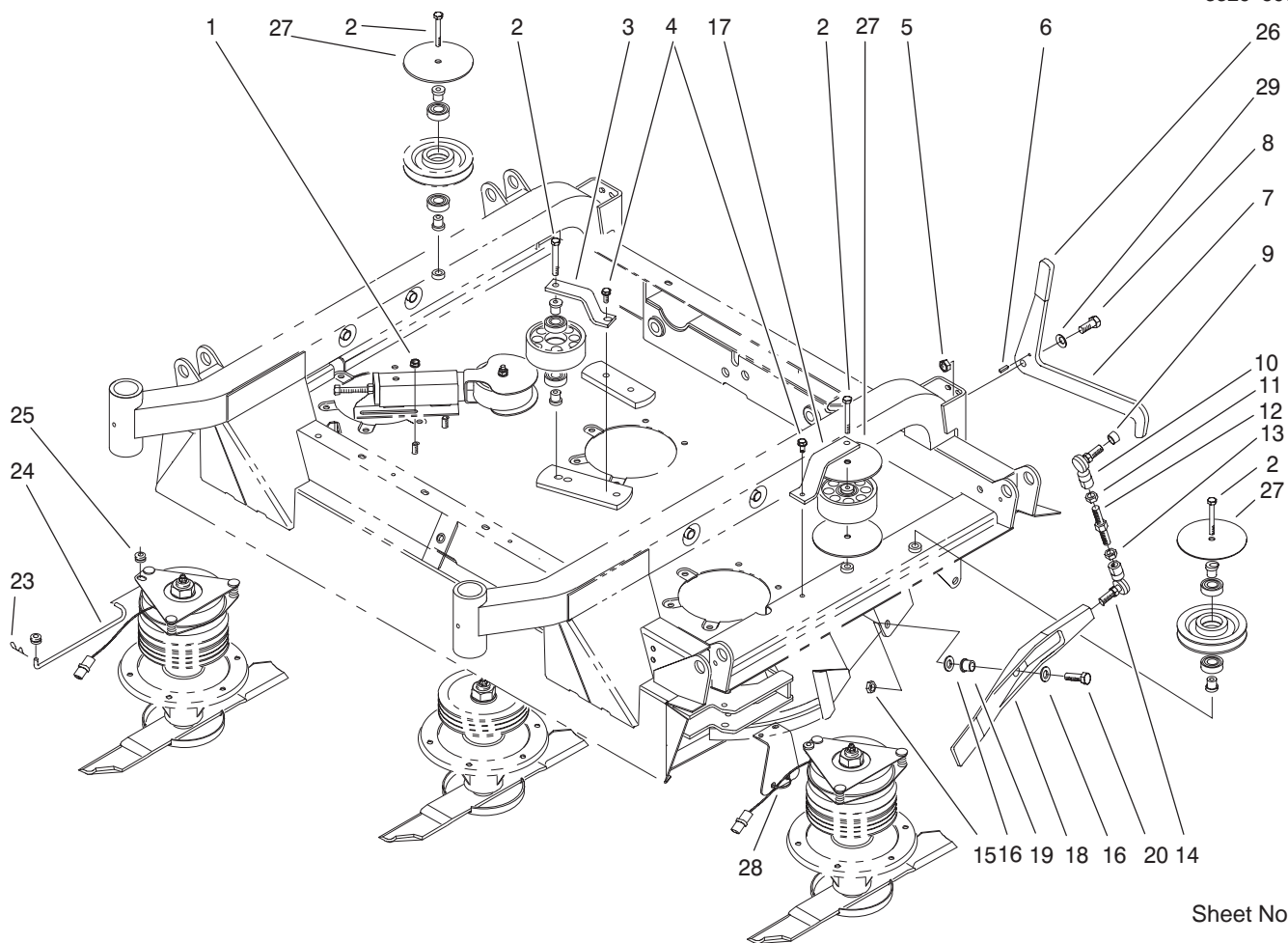


Sheet No.:5

Deck Breakaway Assembly

Ref. No.	Part No.	Qty.	Description
1	3296-29	4	Nut-Lock NI
2	84-1350	4	Pin-Pivot
3	3218-18	2	Nut-Jam
4	60-9870	2	Screw
5	53-6380	4	Washer
6	323-4	4	Screw-HH
7	92-4036	2	Cap-Rod
8	92-4037	2	Capscrew-HSH
9	84-0800-01	4	Arm-Pivot
10	302-5	4	Fitting-Grease
11	86-2070	4	Nut
12	86-2080-01	4	Joint-Ball
13	86-1440	8	Washer-Flat
14	32128-54	4	Nut-Flange
15	86-2560-01	2	Spring-Compression
16	86-2650	2	Spring-Support
17	3272-5	6	Pin-Cotter
18	86-2090	6	Bushing-Pm
19	86-2150	2	Lock
20	283-61	6	Pin-Yoke
21	86-2130	2	Pin-Clevis
22	3272-9	2	Pin-Cotter
23	86-2180	4	Bushing-Flange
24	86-2120	4	Roller-Lock
25	94-8031	2	Boot-Switch
26	94-8029	2	Nut-Special

Ref. No.	Part No.	Qty.	Description
27	237-7	2	O-Ring
28	94-8023	2	Guide-Pin, Switch
29	94-8024	2	Plunger-Switch
30	43-8600	2	Spring-Compression
31	93-6674	2	Decal-Warning
32	43-8610	2	Guide
33	237-42	2	O-Ring
34	72-4320	2	Switch

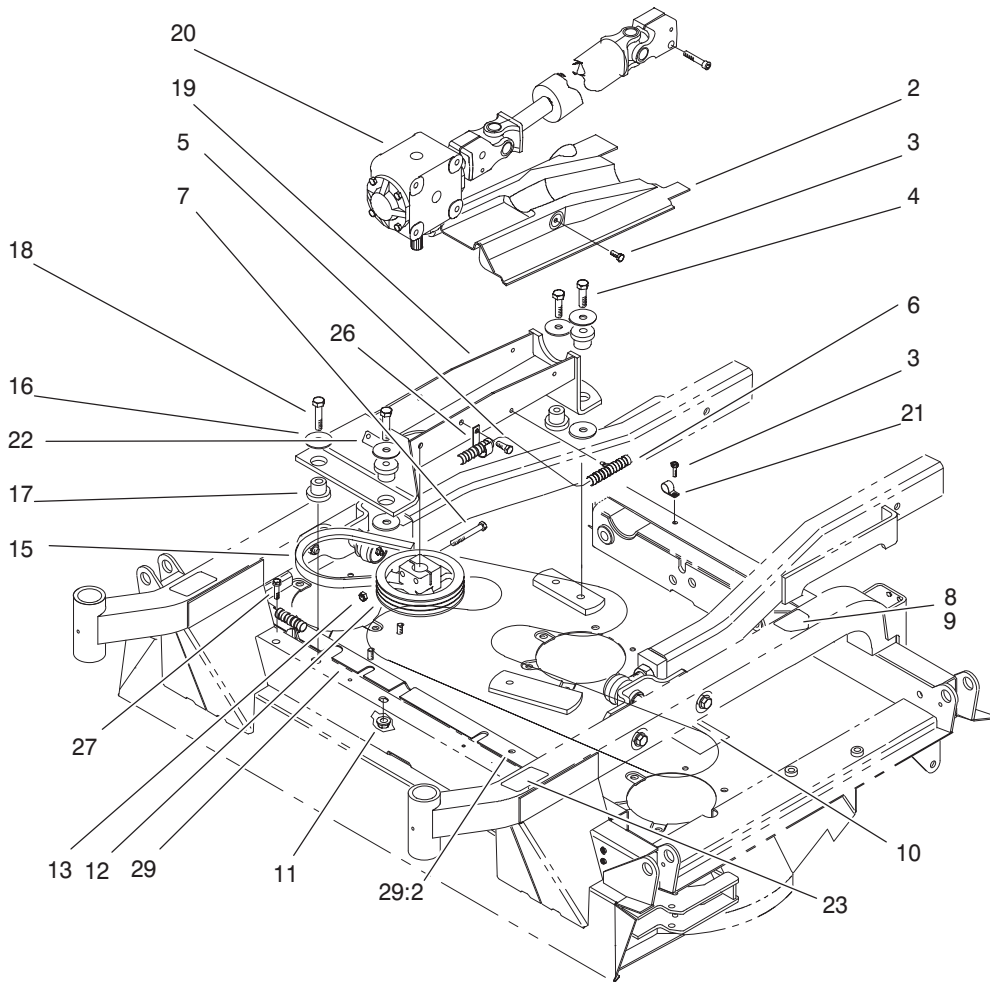


Sheet No.:6

Trap Door Assembly

Ref. No.	Part No.	Qty.	Description
1	32128-19	2	Nut-HF
2	323-13	4	Screw-HH
3	86-1820-01	1	Bracket-Pulley
4	32144-70	2	Screw-HH
5	3296-25	2	Nut-Lock NI
6	32121-11	2	Pin-Roll
7	86-2400-01	2	Latch-Arm
8	325-5	2	Screw-HH
9	86-1560	2	Spacer-Cylinder, Lift
10	86-1490	2	End-Rod, LH Thread
11	3220-12	2	Nut-HJ, LH Thread
12	86-1570	2	Rod-Threaded
13	3220-5-01	2	Nut-HJ
14	86-1550	2	End-Rod, RH Thread
15	3296-25	2	Nut-Lock NI
16	3256-26	4	Washer-Flat
17	92-7766-01	1	Bracket - Pulley
18	92-4033-01	2	Trap-Door
19	256-243	2	Bearing-Flange
20	325-7	2	Screw-HH
23	3290-467	2	Pin-Hair
24	86-2590	2	Rod-Clutch
25	237-141	4	Grommet-Rubber
26	48-7081	2	Grip-Plastic
27	86-2600-01	4	Washer-Guide, Belt

Ref. No.	Part No.	Qty.	Description
28	3290-378	2	Tie-Cable
29	3290-483	2	Washer



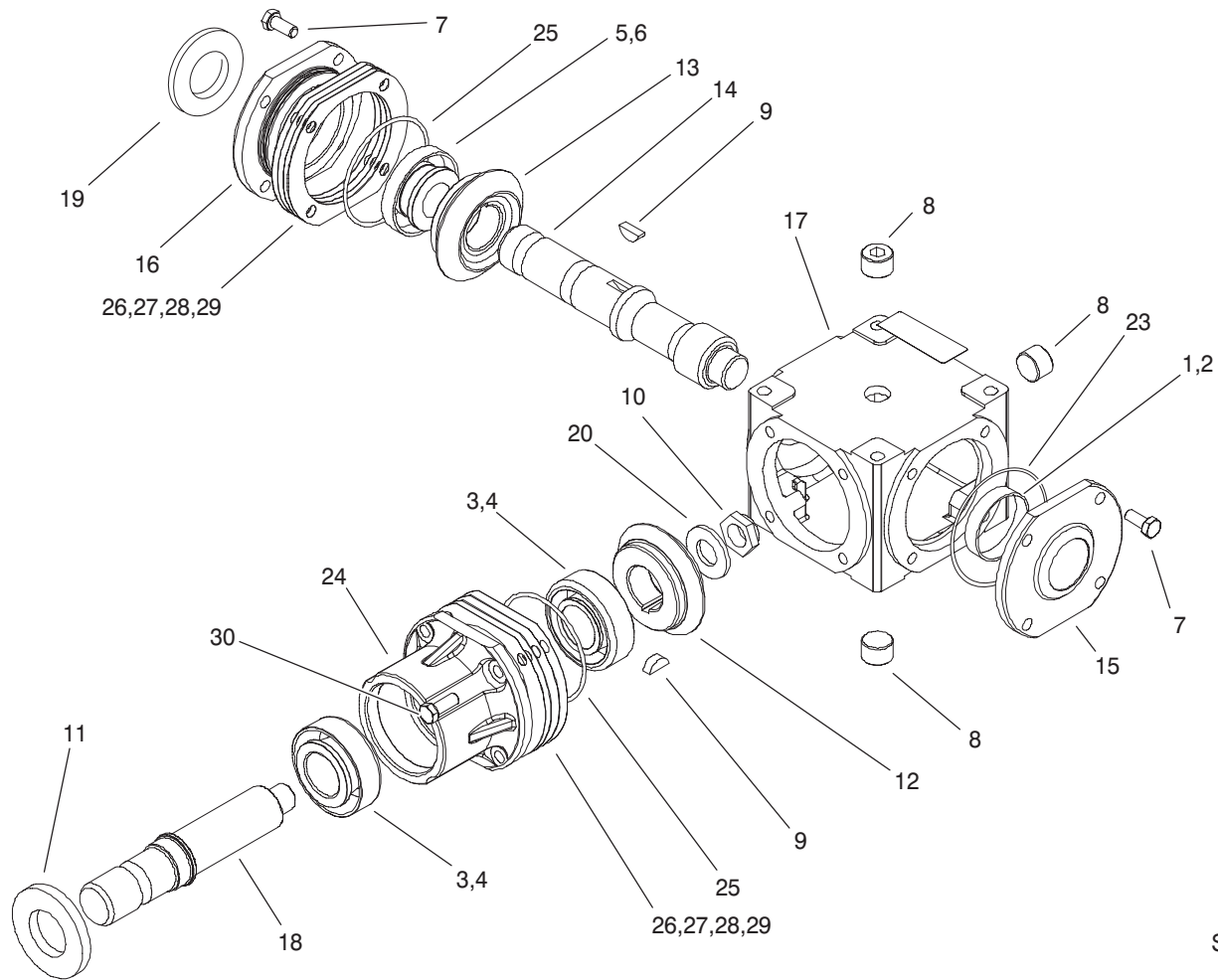
Sheet No.:7

Drive Assembly

Ref. No.	Part No.	Qty.	Description
2	86-1830	1	Cover-Driveshaft
3	32144-70	3	Screw-HH
4	325-7	2	Screw-HH
5	3234-1	4	Screw-HHF
6	95-4375	1	Harness-Wire, Deck
7	323-14	2	Screw-HH
8	93-9410	1	Decal-HOC, RH Center
9	93-9411	1	Decal-HOC, LH Center
10	86-0740	1	Decal-Belt, Center
11	32128-23	2	Nut-HF
12	86-1410-03	1	Pulley-Gearbox
*12	86-3100-03	1	Pulley-Gearbox, High Speed
13	3296-39	2	Nut-Lock, NI
15	86-1970	1	V-Belt
16	86-1990	6	Washer
17	84-1550	4	Mount-Rubber
18	325-9	2	Screw-HH
19	86-2020-01	1	Support-Gearbox
20	100-2585	1	Gearbox
21	2412-138	1	R-Clamp
22	93-6697	1	Decal-Lube
23	86-0780	1	Decal-HOC
23	93-9421	1	Decal-HOC

Ref. No.	Part No.	Qty.	Description
26	2412-150	1	J-Clip
27	3234-1	2	Screw-HHF
29	100-2591	1	Shield ASM
29:2	32148-9	2	Nut-Insert

* Not illustrated

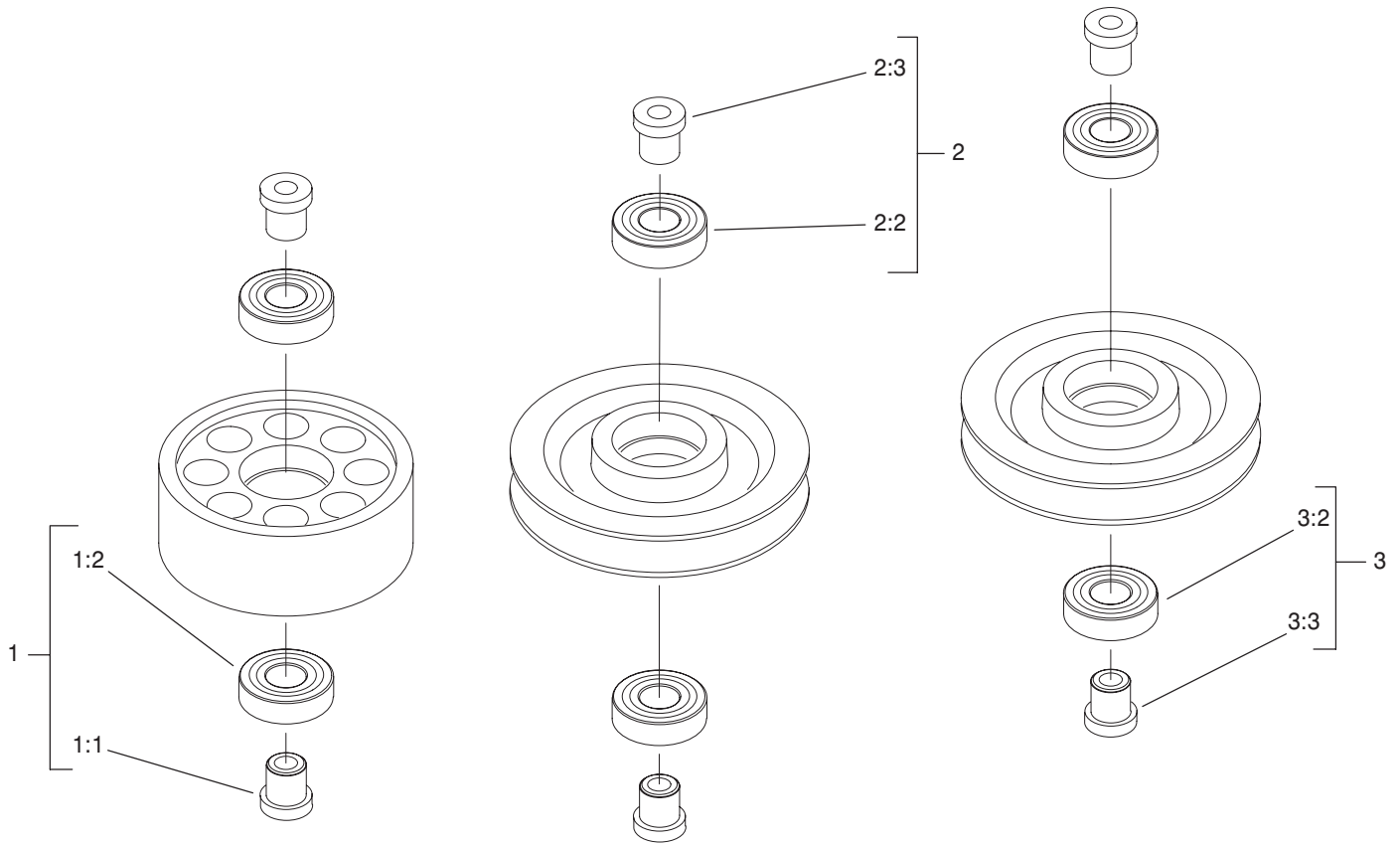


Sheet No.:A2
T-3570

Gearbox Assembly No. 100-2585

Ref. No.	Part No.	Qty.	Description
1	100-4571	1	Bearing-Cup
2	100-4572	1	Bearing-Cone
3	104-2359	2	Bearing-Cup
4	104-2360	2	Bearing-Cone
5	100-5817	1	Bearing-Cup
6	104-2358	1	Bearing-Cone
7	100-5818	8	Screw-HH
8	100-5812	3	Plug
9	100-4580	2	Key-Woodruff
10	100-1391	1	Nut-Lock
11	104-2361	1	Seal
12	104-2367	1	Gear-RH
13	104-2368	1	Gear-LH
14	104-2362	1	Shaft-Input
15	100-9984	1	Cap-End, Closed
16	104-2357	1	Cap-End, Open
17	100-5826	1	Case
18	104-2363	1	Shaft-Output
19	104-2364	1	Seal
20	100-5824	1	Washer
23	100-5847	1	O-Ring
24	104-2365	1	Housing-Pinion
25	100-5848	2	O-Ring
26	100-1394	3	Shim-Green (.003)
27	100-7758	3	Shim-Blue (.005)
28	100-1396	3	Shim-Brown (.010)

Ref. No.	Part No.	Qty.	Description
29	100-7760	3	Shim - Yellow (.020)
30	104-2366	4	Screw

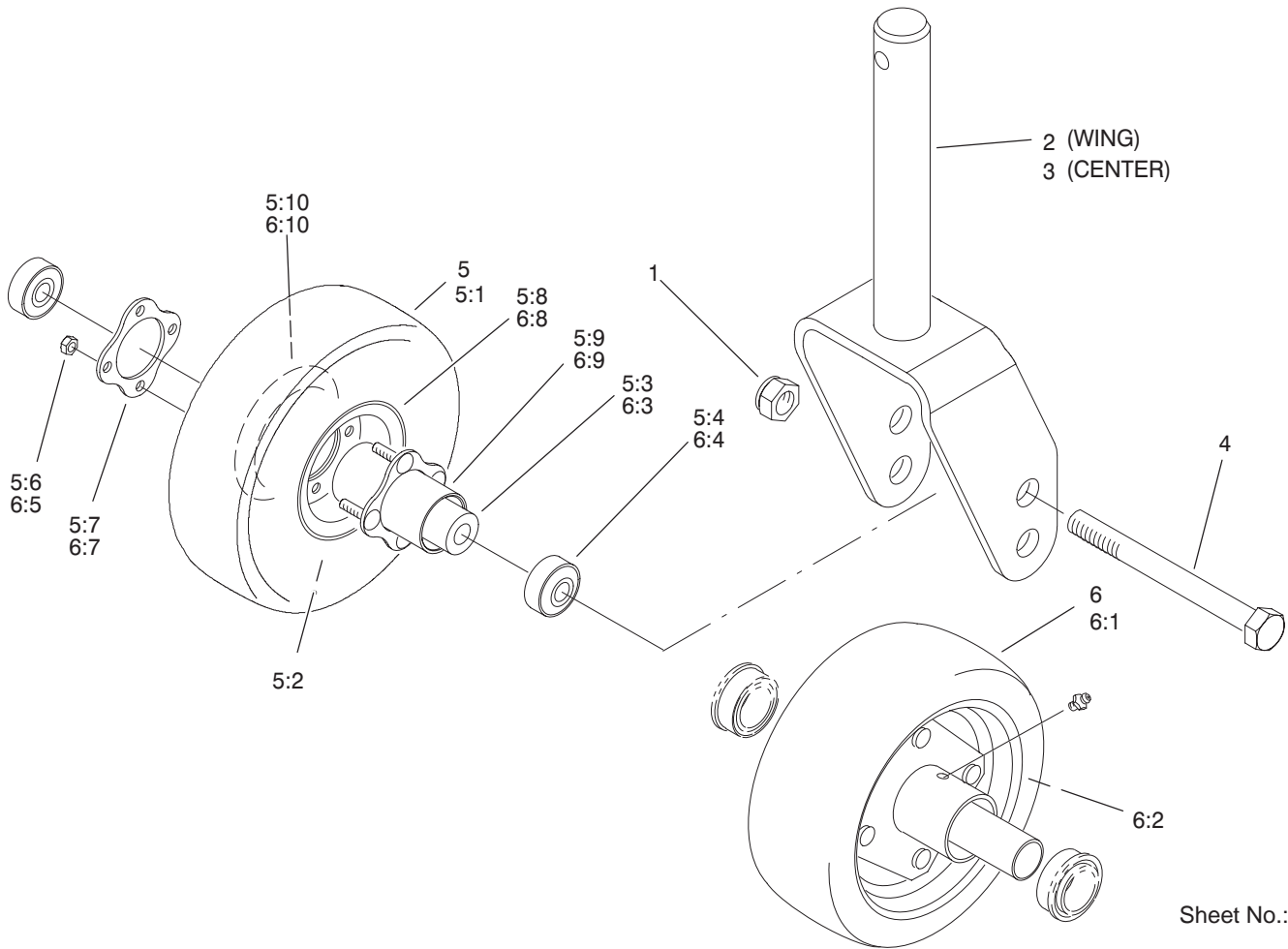


Sheet No.:9

Pulley Assembly

Ref. No.	Part No.	Qty.	Description
1	92-0625	6	Flat Pulley ASM
1:1	100-2587	2	Spacer-Bearing
1:2	38-7820	2	Bearing-Ball
2	92-9722	4	V-Pulley ASM
2:2	38-7820	2	Bearing-Ball
2:3	100-2587	2	Spacer-Bearing
3	104-2355	2	Idler Pulley ASM
3:2	38-7820	2	Bearing-Ball
3:3	100-2587	2	Spacer-Bearing

Ref. No.	Part No.	Qty.	Description



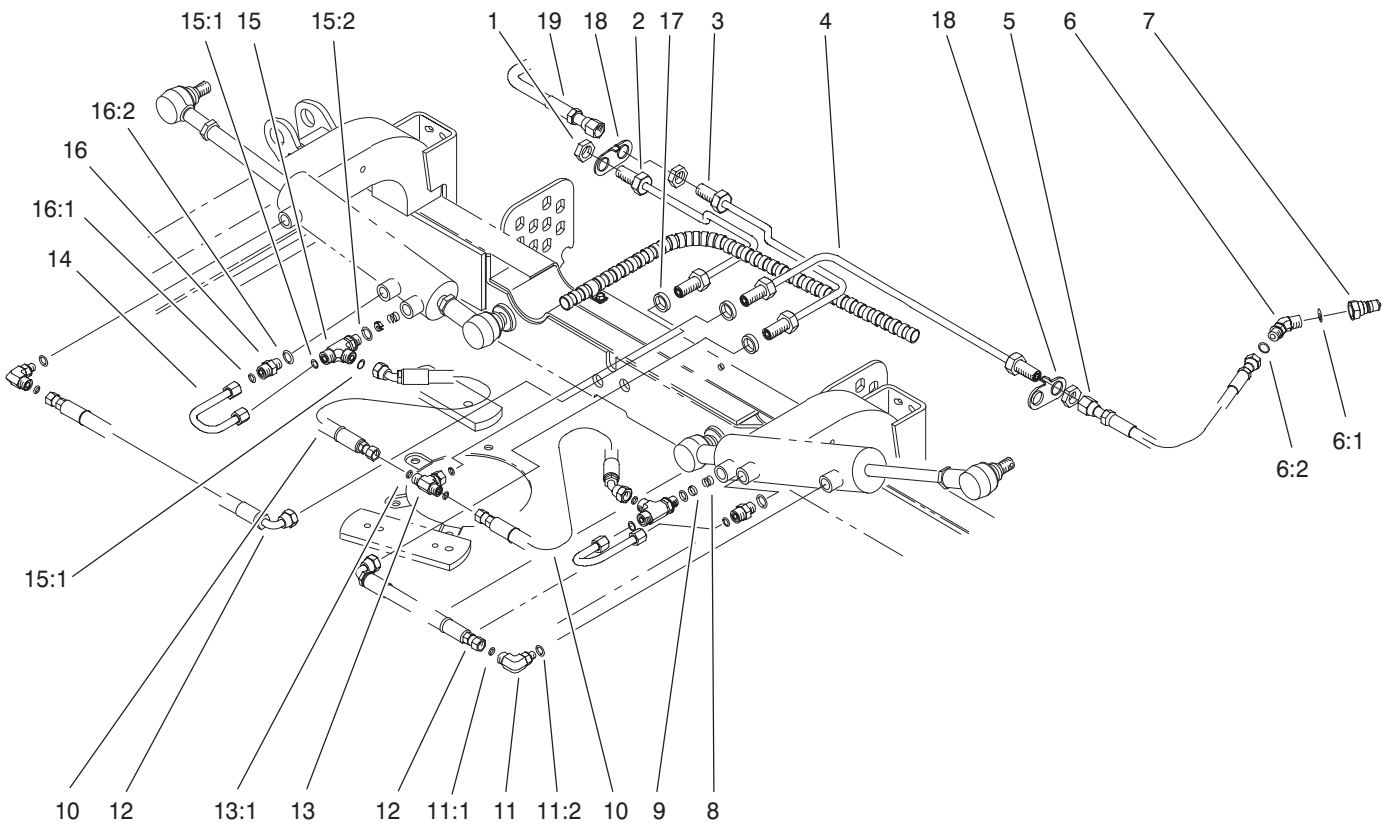
Sheet No.:10

Front Castor Assembly

Ref. No.	Part No.	Qty.	Description
1	3296-53	4	Nut-Lock, NI
2	92-7750-01	2	Fork-Castor
3	92-7752-01	2	Fork-Castor
4	327-24	4	Screw-HH
*5	93-5974	2	Wheel-8 Inch, Foam Filled
5	93-9938	2	8 Inch Wheel ASM
5:1	93-9939	2	Tire
5:2	68-8950	1	Tube-Inner (W/Valve)
5:3	93-4241	2	Spacer-Bearing, Inner
5:4	93-4237	4	Bearing
5:6	32128-16	8	Nut-HHF
5:7	93-4242	2	Plate
5:8	93-4239	3	Rim-Wheel, Half
5:9	93-5980	2	Hub
5:10	95-2741	1	Rim-Wheel, Half
*6	93-5973	2	Wheel-10 Inch, Foam Filled
*6	93-4240	2	Wheel ASM-10 Inch
6	76-1880	2	10 Inch Tire ASM
6:1	93-4243	2	Tire
6:2	93-4244	1	Tube-Inner (W/Valve)
6:3	93-4241	2	Spacer-Bearing, Inner
6:4	93-4237	4	Bearing
6:5	32128-16	4	Nut-HHF
6:7	93-4242	2	Plate

Ref. No.	Part No.	Qty.	Description
6:8	93-4239	3	Rim-Wheel, Half
6:9	93-5980	2	Hub
6:10	95-2741	1	Rim-Wheel, Half

* Not illustrated

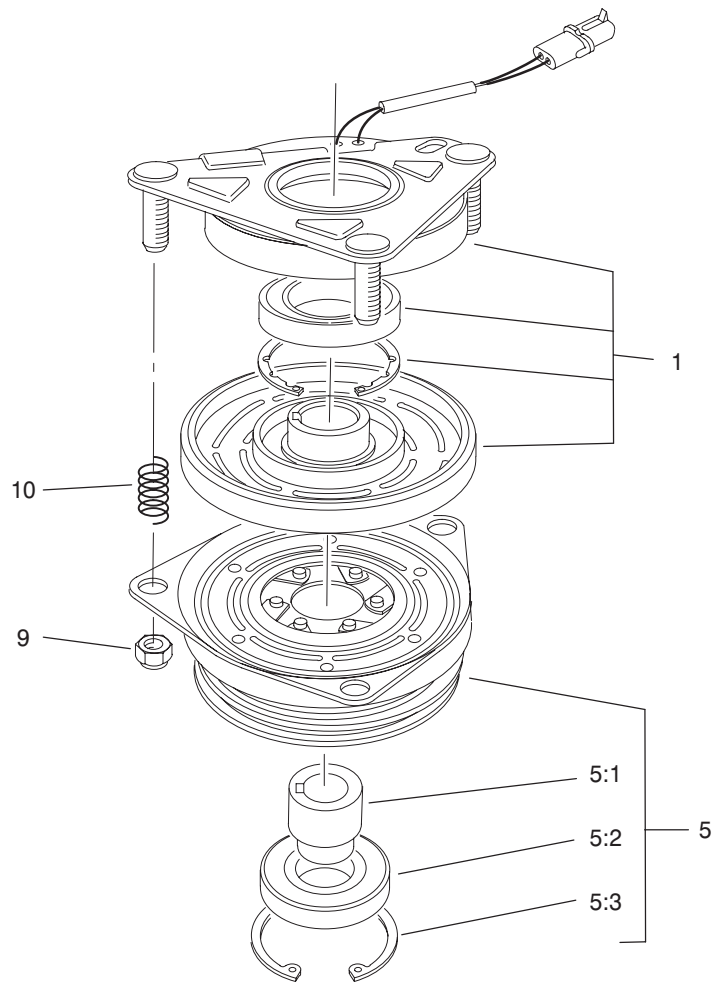


Sheet No.:12

Hydraulics Assembly

Ref. No.	Part No.	Qty.	Description
1	340-70	6	Locknut-Bulkhead
2	86-2480	1	RH Cylinder Tube ASM
3	86-2490	1	LH Cylinder Tube ASM
4	86-2470	1	Cylinder Drain Tube ASM
5	86-2460	2	Hose ASM
6	340-87	3	Fitting-Adapter, 45
6:1	237-22	1	O-Ring
6:2	237-42	1	O-Ring
7	86-5460	3	Nipple-Coupler
8	86-2630	2	Spring-Compression
9	84-6403	2	Disc-Orifice
10	86-2450	2	Hose ASM
11	340-77	2	Fitting-HYD, 90°
11:1	237-22	1	O-Ring
11:2	237-42	1	O-Ring
12	86-2440	2	Hose ASM
13	340-166	1	Fitting-Tee, HYD
13:1	237-22	1	O-Ring
14	86-2640	2	Deck Cylinder Tube ASM
15	340-86	2	Fitting-Tee, HYD
15:1	237-22	2	O-Ring
15:2	237-42	1	O-Ring
16	340-2	2	Adapter-Straight, HYD
16:1	237-22	1	O-Ring

Ref. No.	Part No.	Qty.	Description
16:2	237-42	1	O-Ring
17	86-0690	3	Spacer
18	92-5807	2	Retainer-Hardlines
19	86-1420	1	LH Lift Hose ASM



Sheet No.:A3
T-3581

Electric Clutch Brake No. 100-2559

Ref. No.	Part No.	Qty.	Description
1	67-7050	1	Field & Rotor ASM
5	104-2370	1	Armature ASM
5:1	67-7080	1	Sleeve-Bearing, Armature
5:2	67-7090	1	Bearing-Armature
5:3	67-7060	1	Ring-Retaining
9	3296-6	3	Nut-Lock, NI
10	44-8320	3	Spring

Ref. No.	Part No.	Qty.	Description

