

# Installation Guide

# Billi



## *Duet*

Includes all Duet and  
Duet Domestic models

# Installation Requirements

## BILLI BOILING AND CHILLED WATER SYSTEM COMPONENTS

1. Boiling Water Module
  2. Filtered Water Module and Cartridges
  3. Dispenser Tap
  4. Combined Pressure Regulating/ Backflow Prevention Valve
  5. Installation Hardware
  6. Billi User Guide
  7. Warranty Certificate
- Optional – Separate Packaging**
8. Chilled Water Module

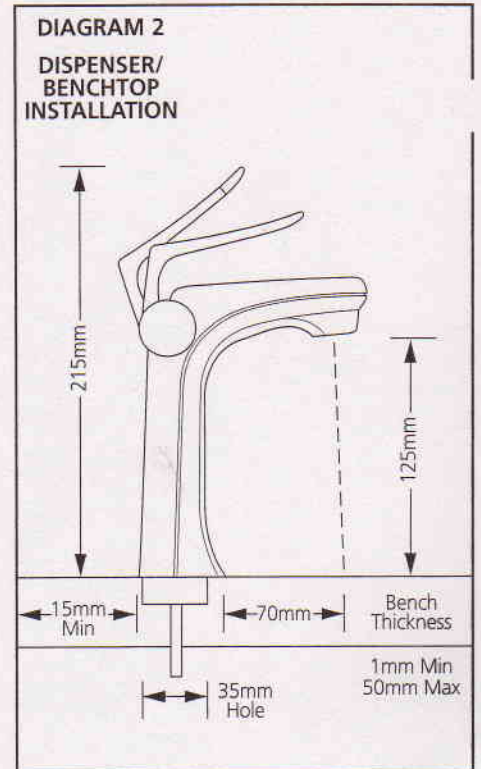
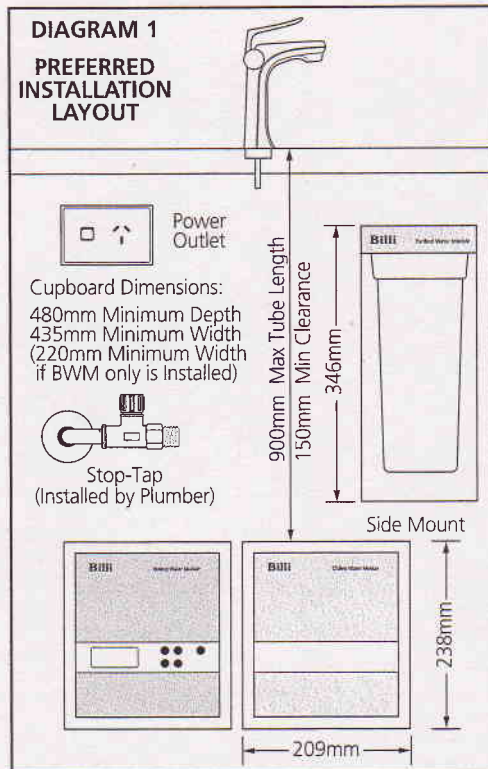
## Installation Configuration

Boiling and Chiller modules may be installed side by side or stacked vertically, preferably on the lower shelf for best results. The filter module may be mounted on either the left hand or right hand side of the cupboard interior.

## Water Supply

A single cold water supply is required.  
 Supply Pressure: 200 – 2000 kpa  
 Supply Temperature: 5°C – 30°C

DO NOT INSTALL WITH WATER THAT IS MICROBIOLOGICALLY UNSAFE OR WITH WATER OF UNKNOWN QUALITY WITHOUT ADEQUATE DISINFECTION BEFORE OR AFTER THE SYSTEM. SYSTEMS CERTIFIED FOR CYST REDUCTION MAY BE USED ON DISINFECTED WATER THAT MAY CONTAIN FILTRABLE CYSTS.



## Power Requirements

A single 10 amp standard power outlet is required (15 amp for BM 1032, 20 amp for BM 1040.) Boiling Water module is supplied with a 1 metre flex cord & plug.

## Drainage

A drainage point, such as a dishwasher nipple or a tundish is required. An airgap is provided within the tap assembly.



## WARNING

FOR CORRECT OPERATION OF THIS PRODUCT, IT IS ESSENTIAL TO OBSERVE THE MANUFACTURER'S INSTRUCTIONS. TO BE INSTALLED BY A LICENCED PLUMBER.

# Installation Procedure

**IMPORTANT:** THE BILLI SYSTEM IS TO BE INSTALLED IN ACCORDANCE WITH AS 3500.4 OR AS/NZS 3500.4.2.

## 1. Determine Component Location

A stop tap (not supplied) is to be installed in an easily accessible position. Determine the location of each of the components, taking into account the tube lengths and space available.

**IMPORTANT:** Boiling and Chilling modules must be installed horizontally resting on their rubber feet. Installing modules vertically will cause serious damage to units which will not be covered by warranty. Refer to Diagram 1.

## 2. Mount Backflow Prevention/Pressure Regulator Valves

Fit combined backflow prevention/pressure limiting valve (supplied) to stop tap in accordance with enclosed manufacturer's instructions. It is important to flush lines before fitting. Install outlet fitting to combined valve. Refer to Diagrams 6, 7 and 8.

## 3. Install Dispenser Tap Assembly

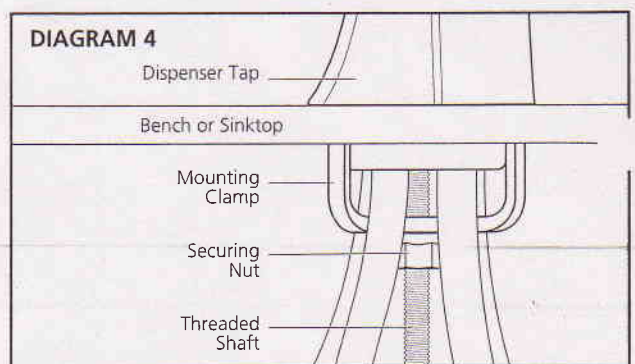
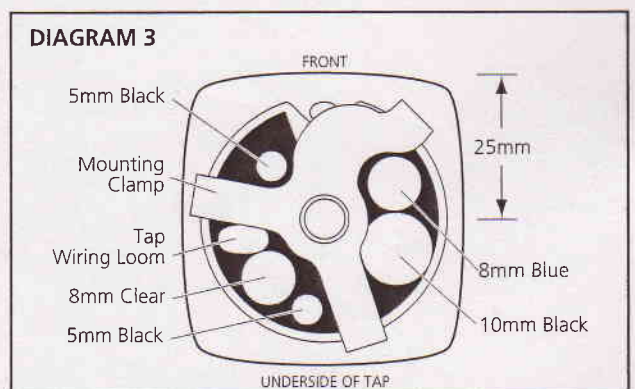
**IMPORTANT:** DISPENSER MUST NOT BE INSTALLED BELOW THE SPILL LEVEL OF THE RECEIVING FIXTURE.

A 35mm hole is required either in the benchtop or flat surface of sink adjacent to bowl of sink.

Mount the tap and install the mounting clamp. Refer to Diagrams 3 & 4.

**IMPORTANT:** ENSURE THAT NONE OF THE TUBES ARE KINKED BY THE MOUNTING CLAMP.

Tighten the nut using a 10mm tube spanner.



#### 4. Mount the Filtration Module

The filtration module should be mounted upright with sufficient clearance (at least 35mm) below filter sump to allow removal for service. Refer to Diagram 5.

Mark the position for 2 mounting screws 235mm apart on a level plane.

Semi tighten mounting screws (provided).

Affix double-sided tape pad to lower part of module.

Position filter module on mounting screws.

Fully tighten screws by inserting a long screwdriver through opposite key hole.

#### 5. System with Boiling Water Module Only

Connect all plastic tubing as shown in Diagram 6.

Connections are either push-fit or push over sleeve and compression nut type. Trim tubes to correct lengths using a sharp knife or plastic tube cutter. Ensure that tube ends are cut square and are not flattened or kinked. Push-fit tubing is to be pushed firmly into connector until properly seated. (To release, press the outer ring in while gently pulling the tube.) Tighten compression nut fittings. Nuts are designed to require only moderate tightening to seal. Finger tightening is sufficient.

**IMPORTANT:** BOILING OUTLET AND VENT TUBES MUST NOT BE KINKED AND MUST BE INSTALLED WITH A CONTINUAL FALL.

#### 6. System with Boiling & Chilled Water Modules

Connect all plastic tubing as shown in Diagram 7 for the Duet models (other than Domestic) and Diagram 8 for Duet Domestic models.

Connections are either push-fit or push over sleeve and compression nut type (boiling module only). Trim tubes to correct lengths using a sharp knife or plastic tube cutter. Ensure that tube ends are cut square and are not flattened or kinked. Push-fit tubing is to be pushed firmly into connector until properly seated. (To release, press the outer ring in while gently pulling the tube.) Compression nut fittings are to be hand tightened only.

**IMPORTANT:** BOILING OUTLET AND VENT TUBES MUST NOT BE KINKED AND MUST BE INSTALLED WITH A CONTINUAL FALL.

#### 7. Install the Drain Connection

The Billi dispenser tap incorporates an air break above the spill level of the sink, therefore a tundish is not required.

Connect 3/8" drain tube to dishwasher nipple using fittings supplied.

**IMPORTANT:** ENSURE DRAIN TUBE HAS CONTINUAL FALL.

#### 8. Connect the Electrical Wiring

Connect the electrical wiring as shown. Refer to Diagram 9.

#### 9. Install the Electrical Cable Retaining Grommets

Feed the electrical connecting plugs through the holes into the rear of the Boiling Module housing and install the retaining grommets as shown. Refer to Diagram 10.

**IMPORTANT:** ENSURE GROMMETS ARE CORRECTLY INSTALLED.

#### 10. Turn On the Water Supply

Turn on water supply and ensure that there are

DIAGRAM 5

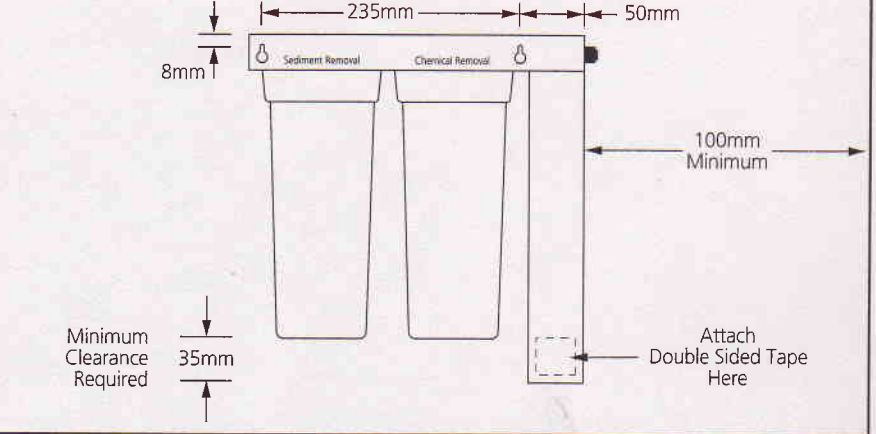


DIAGRAM 6

DUET BOILING WATER ONLY MODELS

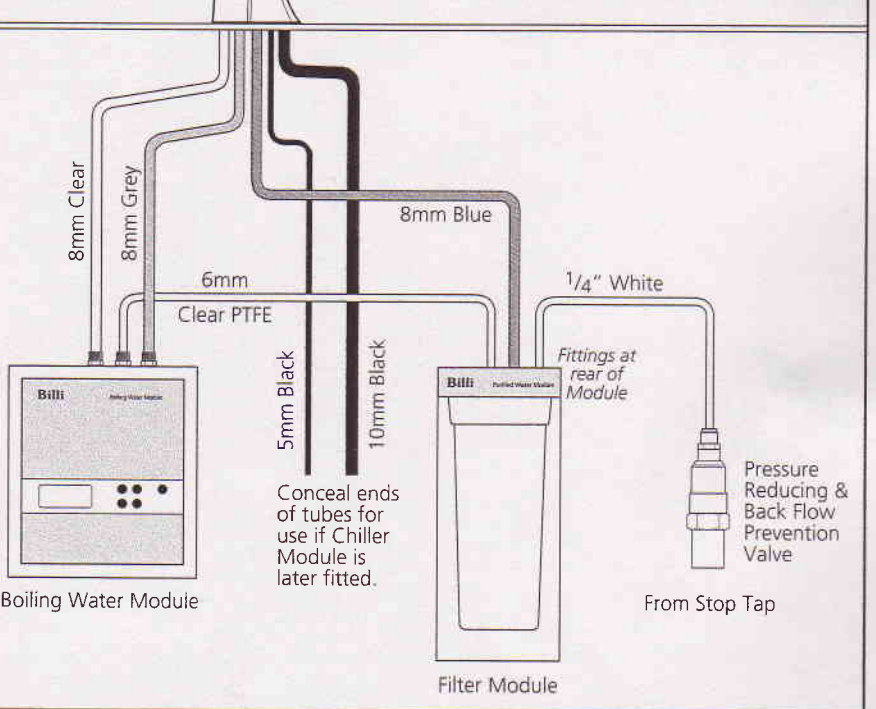
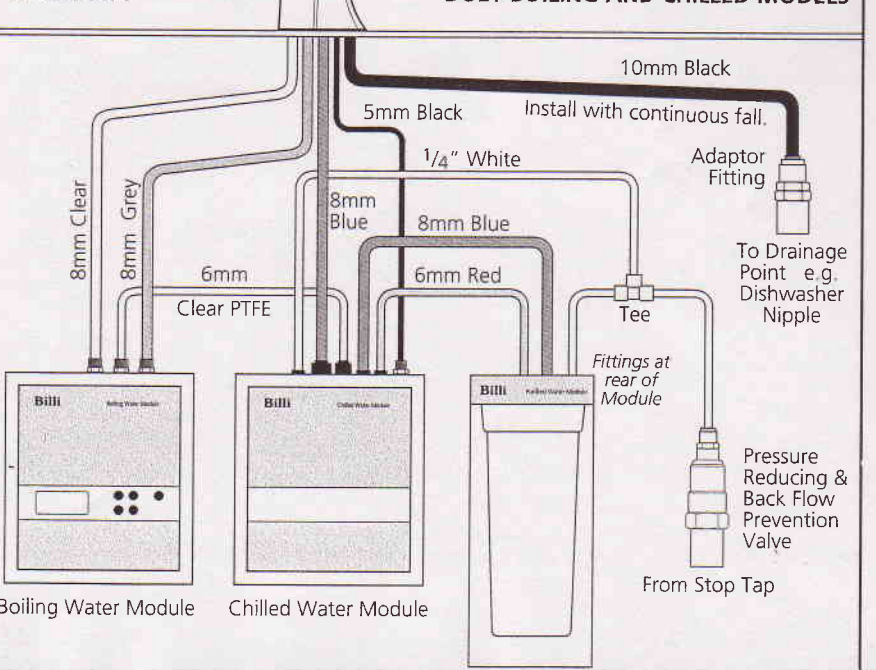


DIAGRAM 7

DUET BOILING AND CHILLED MODELS



### 11. Turn On the Electricity Supply

If display shows 'OFF' press the 'ON-OFF' button to turn the Unit on.

### 12. Cold Water

Lift cold dispenser lever and allow to run for at least 5 minutes after water flows from outlet.

### 13. Hot Water

'FILL' will be displayed in the clock window. Boiling Module is now filling.

Boiling Module will automatically begin heating once tank is completely full.

The display will then revert to normal time and the red symbol on the tap will flash until full temperature is reached.

If the Chiller is fitted, the blue symbol will also flash until the water is chilled.

### 14. Check the Clock Setting

The clock is factory set to Australian Eastern Standard Time (EST), but should it need altering, use procedure described in the Billi User Guide.

### 15. Set the Time Clock

Use procedure described in the Billi User Guide.

### 16. Set the Chilled Water Temperature

Set the desired operating temperature of the Chilled Water Module using the procedure described in the Billi User Guide.

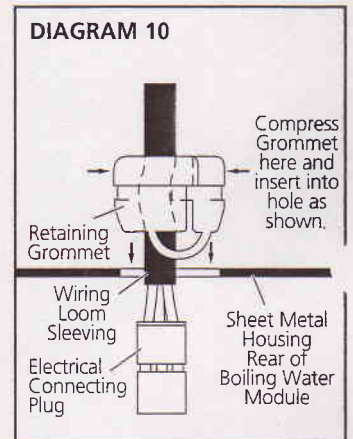
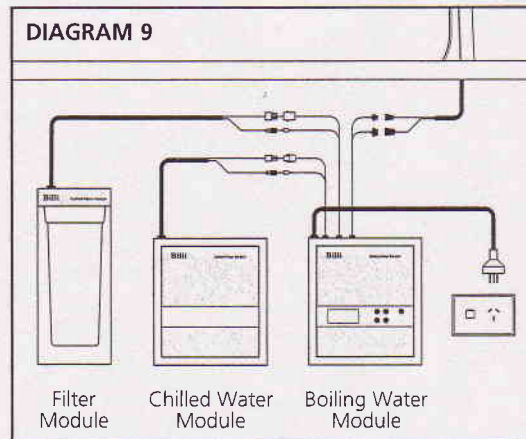
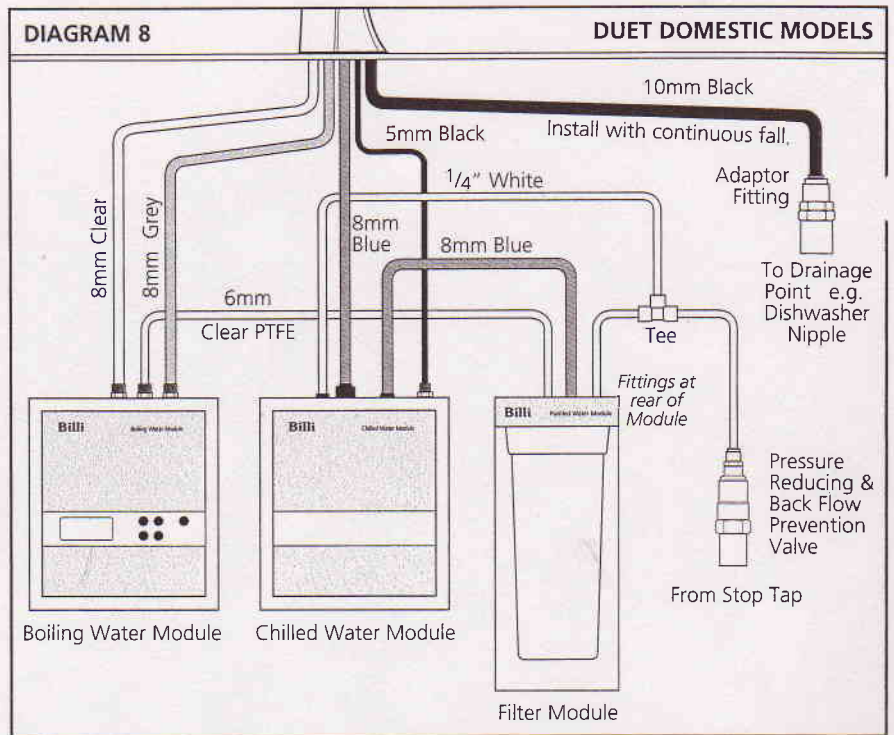
### 17. Recheck Connections for Leaks

### 18. Explain Operation to User

## IMPORTANT NOTES

### 1. 'Boiling Only' Installations

Boiling Modules configured for 'Boiling Only' installations have altered switch settings on main control PCB. The switch settings will need to be altered if a chiller is later added. If a Standard Boiling Module is installed as a "Boiling Only" system, FAULT 20 will be displayed and the unit will not operate. Switch settings need to be changed. Contact Billi Integrated Systems for details.



### 2. High Elevation

For installations in areas of high elevation (ie greater than 500 metres /1500 ft above sea level) the boiling

water temperature may need to be adjusted to prevent over boiling. Contact Billi Integrated Systems for details.

# Trouble Diagnosis

- |   |   |   |
|---|---|---|
| <p>1. Hot or cold water will not flow:</p> <p>2. Boiling Module will not heat:</p> <p>3. Chiller Module will not operate:</p> | <p>1. Is anything showing in boiling module display?</p> <p>2. Is the water supply tap Off?</p> <p>3. Does display show fault 40?</p> <p>4. Are the tubes connected correctly?</p> <p>5. Is the wiring connected correctly?</p> <p>6. Does the display show 'Fault'?</p> <p>1. Is the red symbol on the dispenser flashing?</p> <p>2. Does the time display show 'OFF'?</p> <p>3. Does the display show 'Fault'?</p> <p>1. Is the wiring connected correctly?</p> <p>2. Is the operating temperature set correctly?</p> | <p>Check that the power outlet is On.</p> <p>Turn on water supply tap.</p> <p>Follow the filter replacement instructions and ensure that filter cartridge is installed correctly. Turn power OFF then ON again.</p> <p>Refer to diagram and rectify if necessary.</p> <p>Refer to diagram and rectify if necessary.</p> <p>Ensure that all wiring connections are correctly made. Switch power off for a few seconds then on again. If the trouble persists contact your Billi Service Agent.</p> <p>If Yes, contact your Billi Service Centre.</p> <p>Press ON-OFF Button for 1 second.</p> <p>Ensure that all wiring connections are correctly made. Switch power off for a few seconds then on again. If the trouble persists contact your Billi Service Agent.</p> <p>Refer to Diagram 8 and rectify if necessary.</p> <p>Use the procedure described in the Billi User Guide to Set.</p> |
|---|---|---|